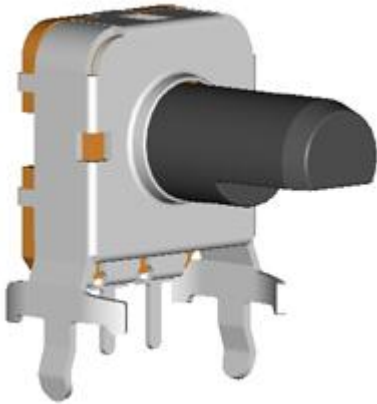


Model(型號): **ROTARY POTENTIOMETER-----R12511V0[x]**

► [Download PDF file](#)



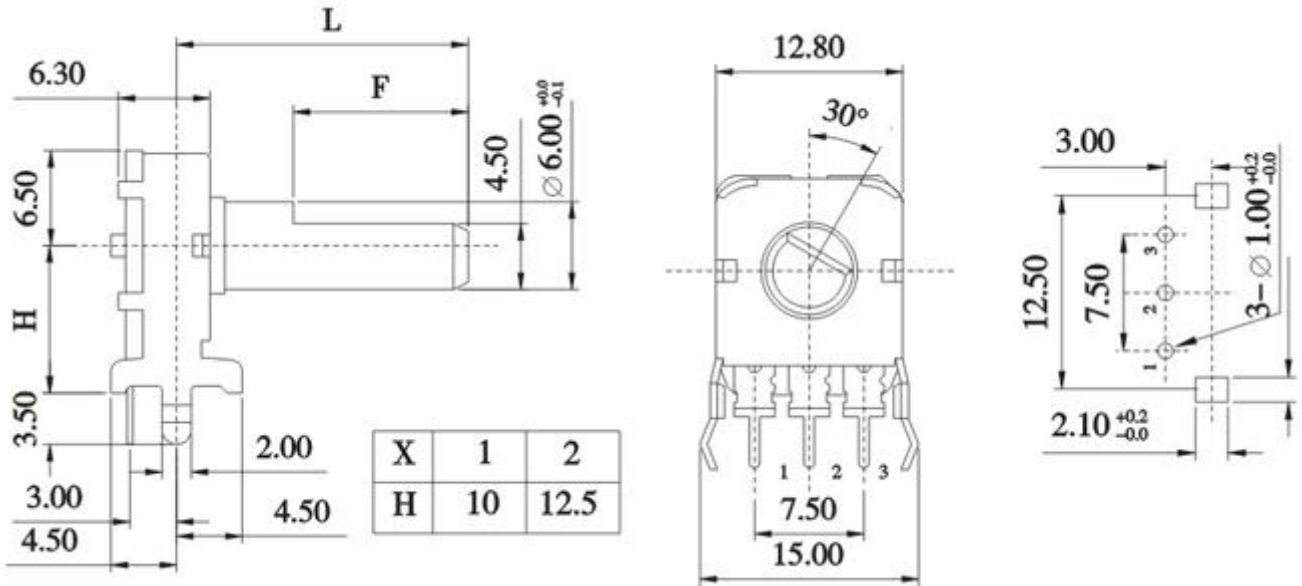
**Features:(特點):**

Ideal for all type of audio products.

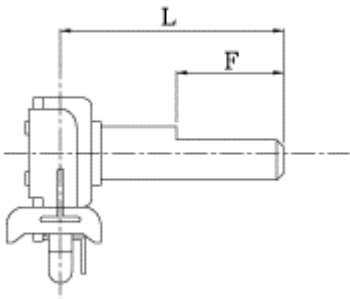
**Applications(作用):**

Ideal for radio, cassette recorder with radio, amplifier,receiver,etc.

**Dimensions(規格圖):**

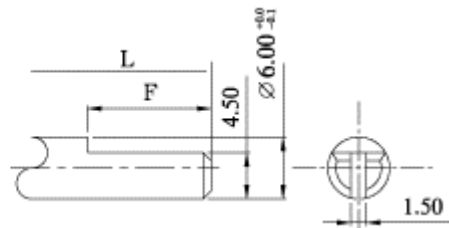


**TYPE OF KNOB**



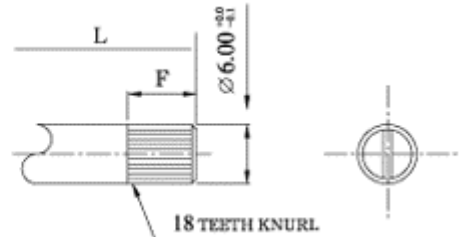
**F Type**

L	10	15	15	20	25	30
F	5	7	8	12	12	12



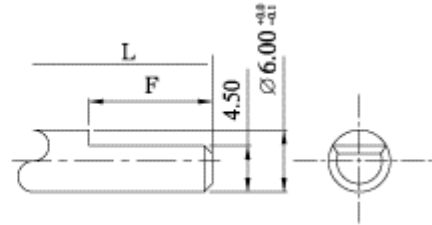
**K Type**

L	10	15	15	20	25	30
F	5	7	8	12	12	12



## T Type

L	10	15	15	20	25	30
F	5	7	8	12	12	12



### Specifications(規格)

#### Electrical Characteristics [電氣性能]

Total resistance [全阻抗值]	500Ω - 1MΩ
Total resistance tolerance [全阻抗值容許差]	±20%
Ratings power(w) [額定功率]	B curve 0.15W , except B 0.08W
Resistance taper [阻抗變化特性]	A,B, *C,D,W
Residual resistance [殘留阻值]	20KΩMax.
Sliding noise [滑動雜音]	47mV Max
Withstanding voltage [耐電壓]	1 minute at AC 500V
Gang error [連動誤差]	-
Insulation resistance [絕緣阻抗]	100MΩ Min. at DC 500V.
Max. operating voltage [最高使用電壓]	B curve AC 150V,DC 10V ; except B AC 100V,DC 10V

#### Mechanical Characteristics [機械性能]

Operation torque [回轉力矩]	50~250gf . cm
Rotation stopper strength [止動強度]	3.0Kgf . cm Min.
Total rotational angle [回轉角度]	300±5°
Center decent force [掣子脫出力矩]	50~300gf.cm

#### Endurance Characteristics [耐久性能]

Rotational life [回轉壽命]	More than10,000 cycles
------------------------	------------------------